

Metal Tube Flowmeters

SC250

Transmitter and Totalizer



Transmitter TH7T

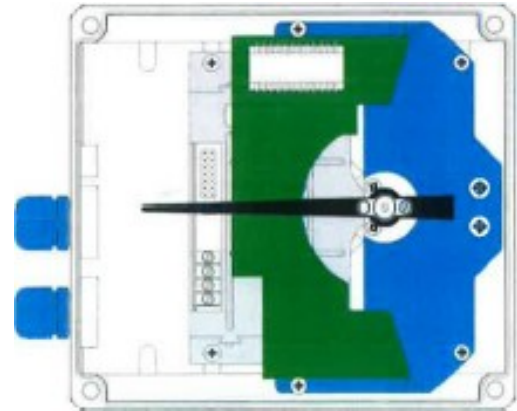
The TH7T electronic transmitters provide an analog output proportional to the flow rate and a digital output. They include a display for volume totalization. They are based on the Hall effect and mounted inside the indicator housing.

- TH7T Transmitter + totalizer
- Optional HART protocol version available
- TH7TH Transmitter + totalizer + HART protocol

ATEX version (EX ia IIC T4 or T6)

Technical data

- ATEX certificate Ex II 1 GD
- Power supply: 14...30VDC, 2-wire system
- Power consumption: 4-20mA for 0... 100% of scale
- 4-20mA analog output:
 - Error: <0.6% of magnet position
 - Maximum load in 4-20mA loop: 900Ω (with 30 VDC power supply)
- Totalizer: 8 digits, 4.5mm high. Reset by potential free contact
- Ambient temperature: -5°C — 40°C



TH7T Ex

Both limit switches AMD and electronic transmitters TH7T can be mounted together in the same housing.

The TH7T Ex transmitters belong to group II. They are intended for use in potentially explosive atmospheres, except in mining.

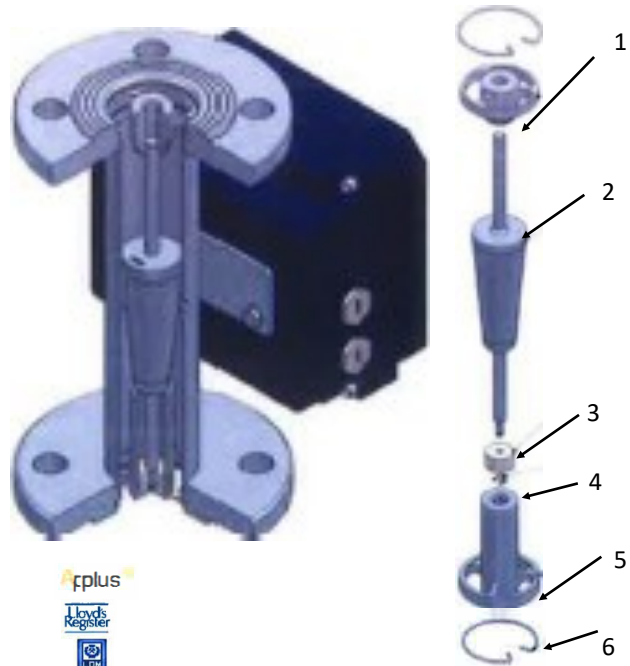
Float Damping System

(For gas and steam applications)

Ceramic, PEEK or metallic piston system for avoiding float oscillations in flowmeters for gas and steam service, obtaining stable readings even with very low working pressures and low gas densities.

Available for DN15...DN80

1. Upper float stop
2. Float
3. Piston
4. Piston locking circlip
5. Guide cylinder
6. Circlips for locking upper float stop & guide cylinder



Quality management System ISO 9001 certified by
Pressure Equipment Directive 97/23/CE certified by
ATEX European Directive 94/9/CE certified by
HART is a registered trademark of HART® Communication Foundation



LICO Electronics GmbH K
lederinger Strasse 31
A-2320 Kledering, Austria
E-mail: sales@lico.at | office@lico.at
Tel.: +43 1 706 4300

LICO Mechatronic Kft.
Raba u. 4.
H-2030 Erd, Hungary
Email: sales@lico.hu / sales@lico.at
Tel: +36 23 520 138

www.platon-direct.eu