

# Platon LPCB Fire Sprinkler Flowmeter

DS1162



[www.platon-direct.eu](http://www.platon-direct.eu)

## Features:

- Approved and listed by LPCB for automated sprinkler systems
- 150-2,500 dm<sup>3</sup>/min range
- Easy and quick installation
- Flanged or Victaulic connections available
- Instantaneous reading
- Best in class flow ranges
- Insolation valves for tube replacement and cleaning
- Air bleed and drain valves
- Spare tube supplied



---

## SHUNT ORIFICE FLOWMETER FOR AUTOMATIC SPRINKLER INSTALLATIONS

The Shunt Gpmeter Model LPCB is approved for regular monitoring and testing of sprinkler systems by the LPCB, Loss prevention Certification Board, under their 'Rules for Automatic Sprinkler Installations', in the UK, and by many equivalent organizations in other countries.

Model LPCB provides a compact, robust, direct reading flowmeter for 50mm-200mm pipelines and is suitable for use in horizontal or vertical pipes.



Approved and listed by the Loss Prevention Certification Board, and equivalent overseas authorities



**LICO Electronics GmbH**  
lederinger Strasse 31  
A-2320 Kledering, Austria  
E-mail: [sales@lico.at](mailto:sales@lico.at) | [office@lico.at](mailto:office@lico.at)  
Tel.: +43 1 706 4300

**LICO Mechatronic Kft.**  
Raba u. 4.  
H-2030 Erd, Hungary  
Email: [sales@lico.hu](mailto:sales@lico.hu) / [sales@lico.at](mailto:sales@lico.at)  
Tel: +36 23 520 138

[www.platon-direct.eu](http://www.platon-direct.eu)

# Platon LPCB Fire Sprinkler Flowmeter

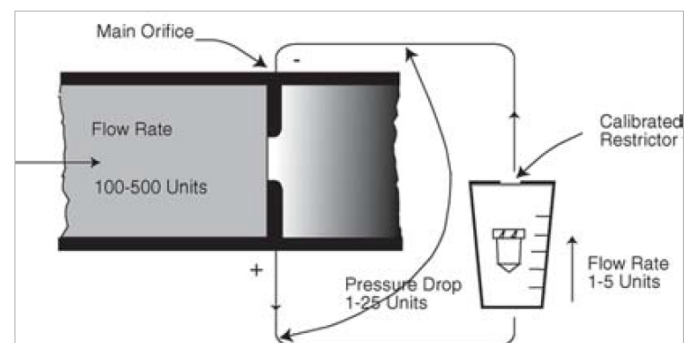
DS1162

## Standard Specification

<b>Orifice Plate:</b>	Stainless Steel mounted in a 38mm thick, red polyester coated steel carrier ring
<b>Measuring Tube:</b>	Borosilicate glass with 100mm fused-in ceramic scale
<b>Float:</b>	Stainless Steel
<b>Accuracy:</b>	±5% at various test flows specified by LPCB
<b>'O' Seals:</b>	Nitrile
<b>Indicator Housing:</b>	Die-cast aluminum with white polyester coating, black bezel and perspex window
<b>Impulse Pipe:</b>	Bright nickel plated copper with plated brass connections
<b>Isolating Valves:</b>	Full bore (8mm) brass ball valves bright nickel plated
<b>Drain/Bleed Valves</b>	Brass, bright nickel plated with PTFE seat
<b>Rodding Device</b>	Brass body, 316 Stainless Steel rod
<b>Filter Unit:</b>	316 Stainless Steel element with 1.5mm perforations, TPX tube, plated brass connections and nitrile 'O' seals
<b>Temperature Limitation:</b>	80°C
<b>Pressure Limitation:</b>	12 bar g @ 20°C
<b>Pressure Test:</b>	30 bar hydraulic
<b>Pressure Drop:</b>	At max flow rate 65% of the orifice pressure loss of 354"WG is recovered
<b>Installation:</b>	As per manual OMM 1002
<b>Approval:</b>	Units approved by LPCB (UK)
<b>LPCB Listing:</b>	Approved Fire and Security products and Services Part 5, Automatic Sprinkler, Water Spray and Deluge Systems, Section 6: Direct Reading Flowmeters.

### PRINCIPLE OF OPERATION

The Shunt Gapmeter Model LPCB is a combination of two simple measuring elements. In the main flow line an orifice plate is inserted, producing a pressure drop related to flow rate. Across the orifice plate, a shunt or bypass loop uses this pressure drop to create a small flow through a similar orifice restrictor and a Variable Area flowmeter. The flow in the bypass VA meter is proportional to the main line flow and special scaling on the glass tube allows the main line flow to be measured directly.



### SPECIAL FEATURES

- Full bore isolating valves for meter isolation, filter cleaning or flow tube replacement.
- In-line filter avoids clogging of the bypass line or the flow restrictor with pipe debris. 'Rodding device' allowing the clearance of debris or algae from the orifice bypass restrictor.
- Bleed valves allowing drainage of the metering section and/or venting of trapped air.
- The flow tube is replaceable on site and a spare tube is supplied with each meter.



**LICO Electronics GmbH**  
lederinger Strasse 31  
A-2320 Kledering, Austria  
E-mail: sales@lico.at | office@lico.at  
Tel.: +43 1 706 4300

**LICO Mechatronik Kft.**  
Raba u. 4.  
H-2030 Erd, Hungary  
Email: sales@lico.hu / sales@lico.at  
Tel: +36 23 520 138

[www.platon-direct.eu](http://www.platon-direct.eu)

# Platon LPCB Fire Sprinkler Flowmeter

DS1162

## Flow Ranges and Order Code

Flanged Carrier Ref's		Groove Carrier Ref's		Nominal Pipe Size (mm)	Flow Ranges dm <sup>3</sup> /min	Test Flows dm <sup>3</sup> /min	Accuracy @ Test Flows dm <sup>3</sup> /min
LPCB*	Platon~	LPCB*	Platon~				
088a/05	F1/5	088a/10	F1/10	50	150-750	500	±25
088a/06	F1/6	088a/11	F1/11	80	300-2300	800	±40
088a/07	F1/7	088a/12	F1/12	100	500-3500	1300	±65
088a/08	F1/8	088a/13	F1/13	150	900-8200	1500	±75
088a/09	F1/9	088a/14	F1/14	200	2500-12500	2200	±110
						2500	±125
						3500	±175
						4500	±225
						5000	±250
						7000	±350
						9000	±450

\*The LPCB ref No. appears on the Carrier only

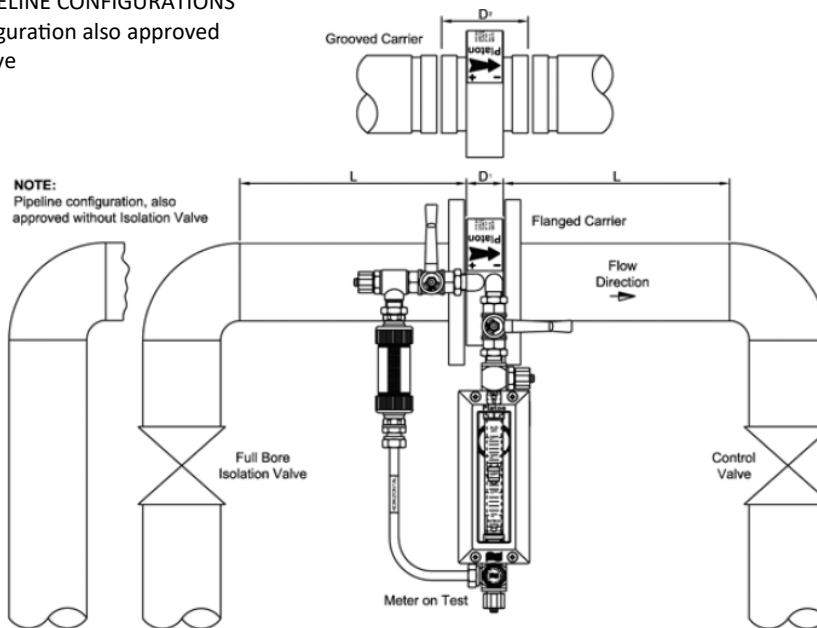
~The Platon ref No. appears on both the Carrier and Tube.

Also, the Tube & Float assemblies of a particular NB are universal between the 2 carrier styles and therefore, carry both Platon Ref No.s, ie F1/6 or F1/11.

## INSTALLATION

### RECOMMENDED PIPELINE CONFIGURATIONS

NOTE: Pipeline configuration also approved without isolating valve



NOTE:  
Pipeline configuration, also approved without Isolation Valve

The recommended minimum length of straight pipe required upstream and downstream of the orifice plate is defined by the table below.

Meter Size		50mm	80mm	100mm	150mm	200mm
Recommended length of straight pipe	A	250mm	400mm	500mm	750mm	1000m
	B	250mm	400mm	500mm	750mm	1000m

## EQUIPMENT SUPPLIED

- Shunt orifice flowmeter suitable for installation in horizontal pipelines
- Alternative pipe sections for installations in vertical up or down flow lines
- Spare glass indicator tube as required by LPCB
- Installation and Operation Manual OMM 1002



### LICO Electronics GmbH

Iederinger Strasse 31  
A-2320 Kledering, Austria  
E-mail: sales@lico.at | office@lico.at  
Tel.: +43 1 706 4300

### LICO Mechatronic Kft.

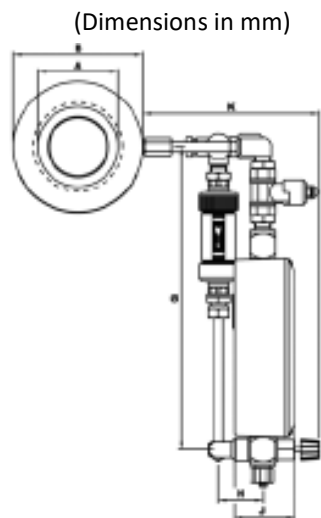
Raba u. 4.  
H-2030 Erd, Hungary  
Email: sales@lico.hu / sales@lico.at  
Tel: +36 23 520 138

[www.platon-direct.eu](http://www.platon-direct.eu)

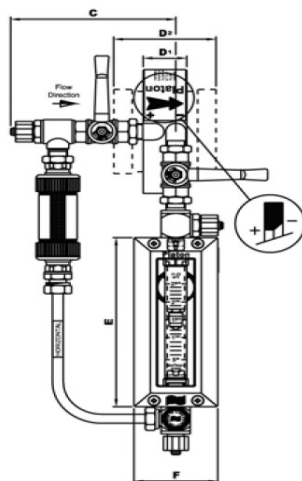
# Platon LPCB Fire Sprinkler Flowmeter

DS1162

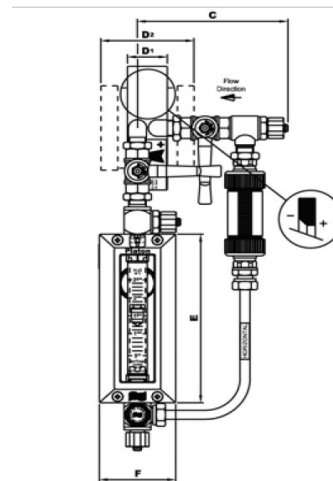
## SHUNT GAPMETER MODEL LPC LPCB APPROVED DIRECT-READING FLOWMETER FOR WATER



### HORIZONTAL INSTALLATIONS



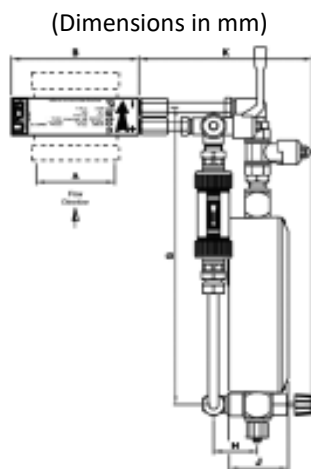
HORIZONTAL FLOW LEFT TO RIGHT



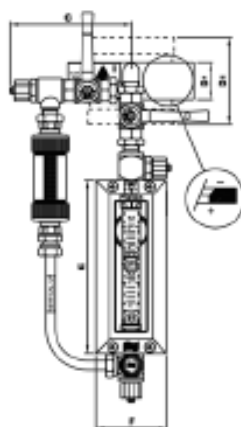
HORIZONTAL FLOW RIGHT TO LEFT

Dimension 'A' = PIPE SIZE (50, 80, 100, 150 OR 200mm)

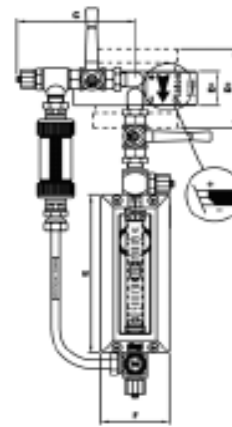
Dimension 'B' = FLANGE BOLT P.C.D. MINUS BOLT DIAMETER



### VERTICAL INSTALLATIONS



VERTICAL FLOW UPWARDS



VERTICAL FLOW DOWNWARDS

For more detailed dimensions, certified drawings, operation, installation and maintenance instructions and recommended spares etc, refer to Operation and Maintenance Manual OMM 1002.

Every effort has been made during the preparation of this document to ensure the accuracy of statements and specifications. However, we do not accept liability for damage, injury, loss or expense caused by errors or omissions made. We reserve the right to withdraw or amend products or documentation without notice.



OSTWAR041



**LICO Electronics GmbH**  
lederinger Strasse 31  
A-2320 Kledering, Austria  
E-mail: sales@lico.at | office@lico.at  
Tel.: +43 1 706 4300

**LICO Mechatronik Kft.**  
Raba u. 4.  
H-2030 Erd, Hungary  
Email: sales@lico.hu / sales@lico.at  
Tel: +36 23 520 138

[www.platon-direct.eu](http://www.platon-direct.eu)